

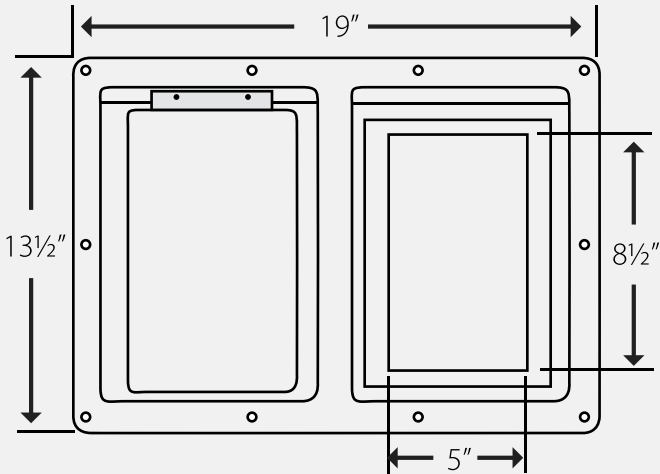
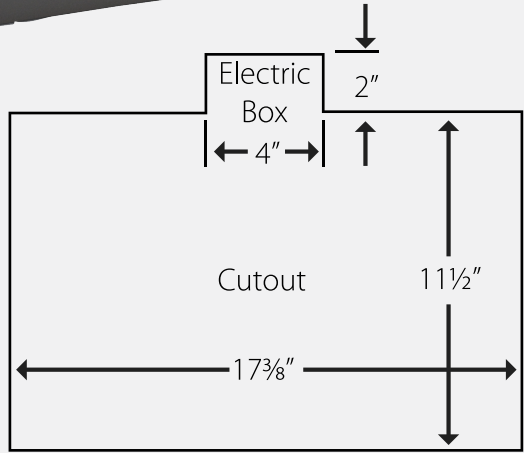
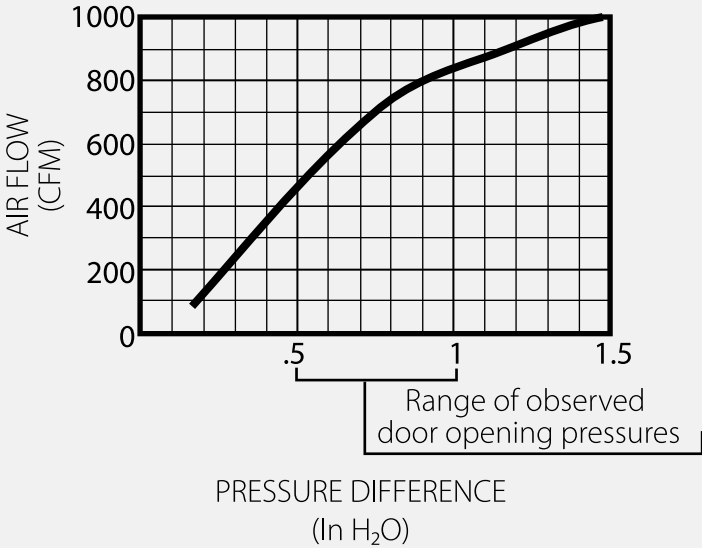
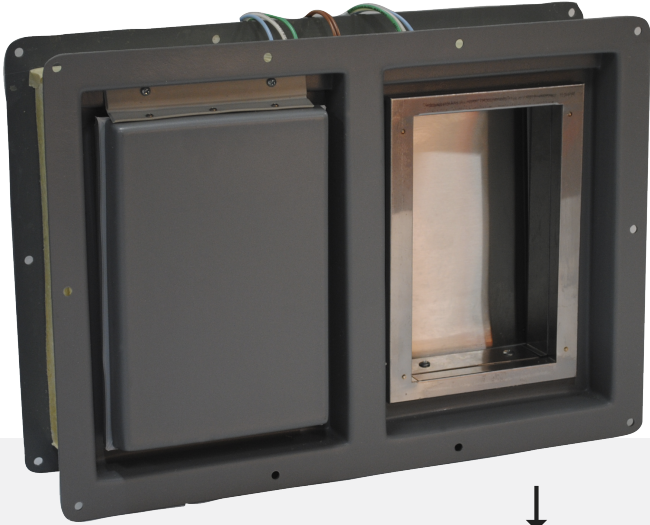


# Pressure Relief Port

## The Bally PRP-1

The Highest Flow Pressure Relief Port On the Market.

- Two doors allow flow in both directions.
- Single door allows more air flow than multiple small doors.
- Insulated Doors Lose Less Heat.
- 120 or 240 V Supply Voltage.
- Standard Model for 4" thick wall.  
Adapters available for thicker walls  
Available installed in Bally wall panels or loose.  
Available in full stainless steel finish



### Electrical Rating:

- 115 V ac
- .39 amps

### Weight:

- Plastic Frame - 7½ lbs.
- Stainless Steel- 12 lbs.
- Use a PRP-1 with freezer boxes with condensing units over 6 hp.

CONTACT US TODAY!

# 1-800-24BALLY

[www.ballyrefboxes.com](http://www.ballyrefboxes.com)